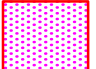
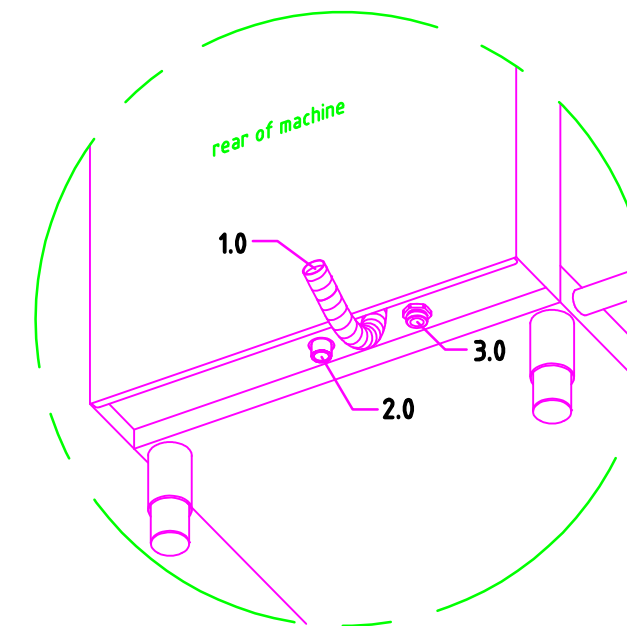
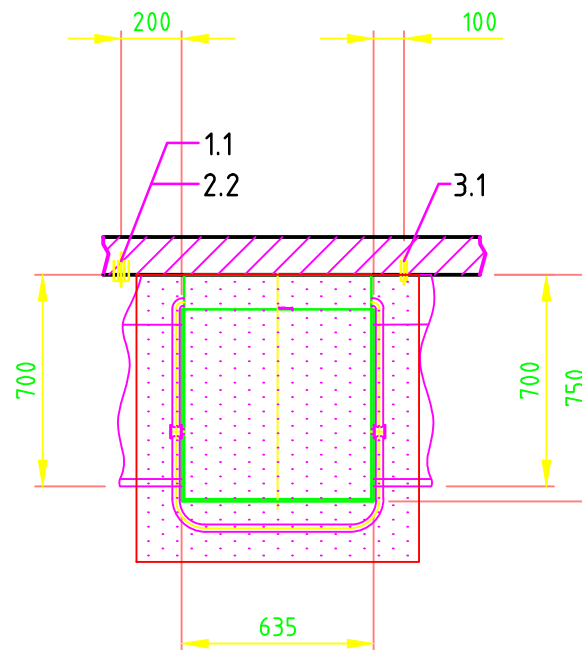
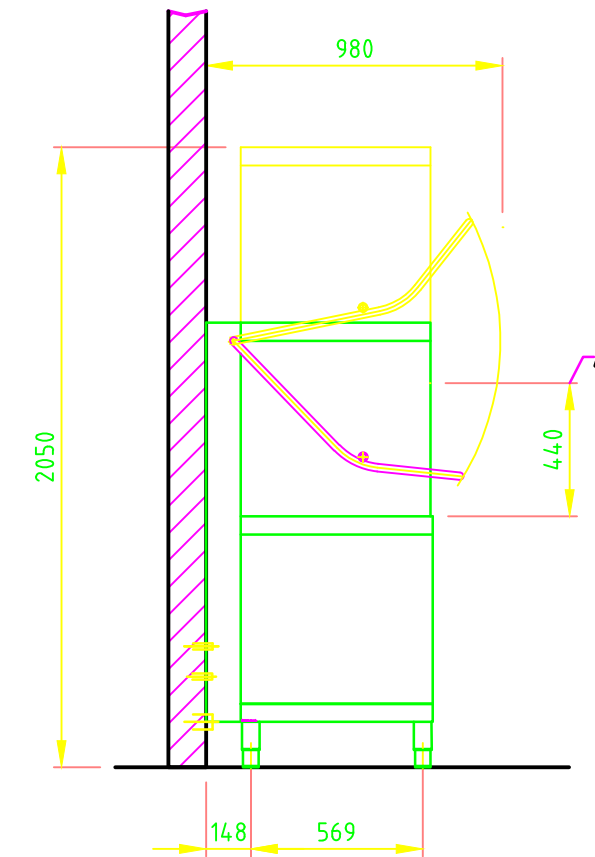
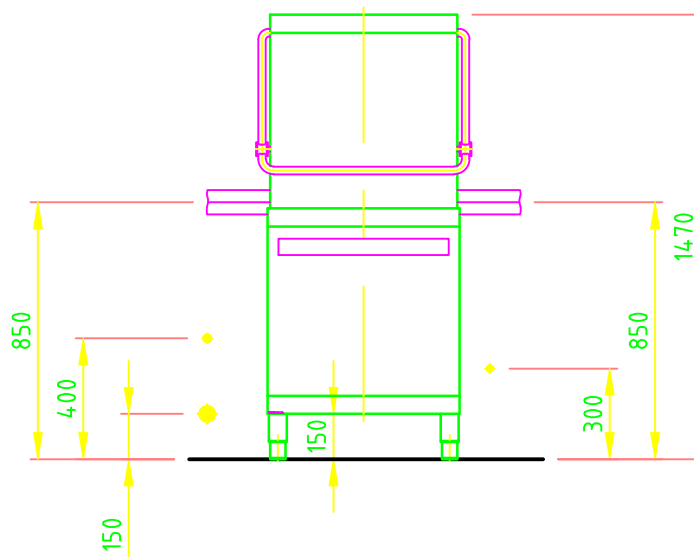
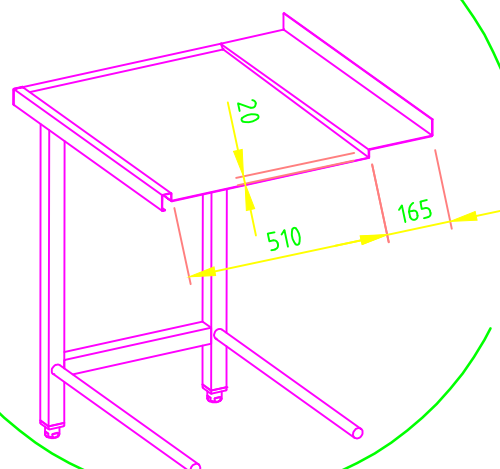



1.0	machine connection: Drain line hose fitted as odour trap in interior of machine	DN 22
1.1	drain (recommended height 150 mm, over 350 mm waste water pump required)	DN 50
2.0	machine connection: fresh water line	G 3/4"
2.2	soft cold water 10°C max. 0,54 mmol/l CaCO ₃ / 53,4 ppm/CaCO ₃ (max.3°GH) approx. water flow rate 0,3 l/s min. flow pressure: 250 kPa / 2,5 bar upstream of the solenoid valve, maximum pressure: 500 kPa / 5 bar stopcock and fine screen ≤ 25 µm	DN 20
		G 3/4 a
3.0	machine connection: electricity connecting cable	5G 4mm ²
3.1	electricity supply to the machine	3N PE 400V~ 50Hz
	nominal current / - capacity	21.7 A 11.9 kW
	⚡ Voltage equalising cable	Fuse protection: 25 A
Electrical equipment suitable for supply voltage: 3N PE 380-415 V 50 Hz / 1N PE 220-240 V 50 Hz		
heat load of the wash room in case of 20 program cycles /h		total ca.2.1 kW perceptible ca.1.4 kW latent ca.0.7 kW
all cables, pipes etc leaving machine		1,6 m
the position of the connection piping can also be mirror-inverted		
Machine Equipment		
(A) Entry height		
Potential free terminals (changeable to 230V) for local dosingsystem		
Feeding table on site		
Discharge table on site		
	Recommended suction area according to German VDI 2052 or any local regulations have to be observed to determine ventilation of wash areas	



Requirement for
local table profile



 MEIKO Clean Solutions Hong Kong Limited Room 06, 12/F, Chevalier Commercial Centre, 8 Wang Hoi Road, Kowloon Bay, Hong Kong S.A.R., China Tel: (852) 3628 2122 info@meiko-hk.com Website: http://www.meiko.de http://www.meiko-hk.com	Revision			
	Reference	DISHWASHER STANDARD DRAWING / HKG		Type UPSTER H 500
This drawing may not be neither passed to third parties for their information or copied or used for competitive purposes without our consent. All rights reserved. We reserve the right to make changes resulting from technical progress. This drawing was computer generated and is not subject to the checking and any release process; it is also not subject to change management. Please note: This document is only valid in conjunction with the conditions defined in Supplementary Sheet "Important Information". These can be requested from the manufacturer or downloaded from the Partnernet.	TYPE: CROCKERY	Drawing-No. S00087048		Order-No.
	Scale 1:25	drawn: 06.08.2020	m-iplan	checked: 07.08.2020
HKG	EN	© COPYRIGHT by MEIKO		